

Micro beam type load cell SC133

Model: SC133

Rated load: 20kg

Precision: 0.05%

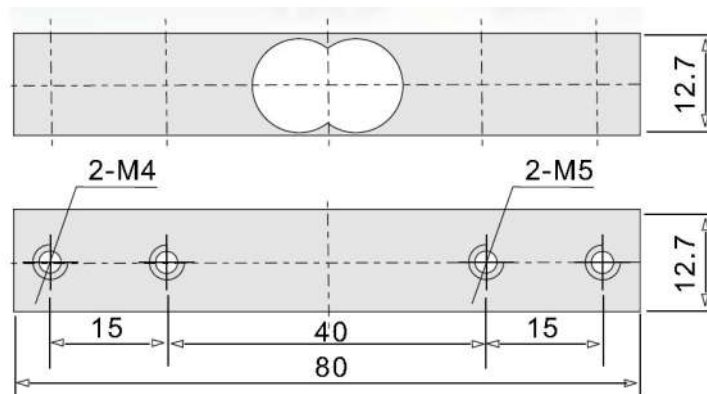
Ultimate overload: 150%

Material: Aluminum alloy

Apply to: kitchen scale, pricing scale, small weighing scale
force test equipment



DIMENSIONS (mm)



Parameters :

Application	kitchen scale, pricing scale, small weighing scale, force test equipment
Capacity	20kg
Comprehensive Error	0.05
Output sensitivity	1.0±0.1mV/V
Nonlinearity	0.05% F.S.
Repeatability	0.05% F.S.
Hysteresis	0.05% F.S.
Creep	0.05 (3min) % F.S.
Zero balance	0.05 (1min) % F.S.
Temperature effect on zero	0.2 % F.S./10°C
Temp. effect on span	≤0.15 F.S./10°C
Zero output	±0.1 MV/V
Input resistance	1000±50 ohm
Output resistance	1000±50 ohm
insulation resistance	≥2000 MΩ
Recommended excitation voltage	5-10V
Ultimate overload	150%F.S.
Load cell material	Aluminum alloy
Wiring	Red- input+, black- Input-. Green- Output+, White- output -